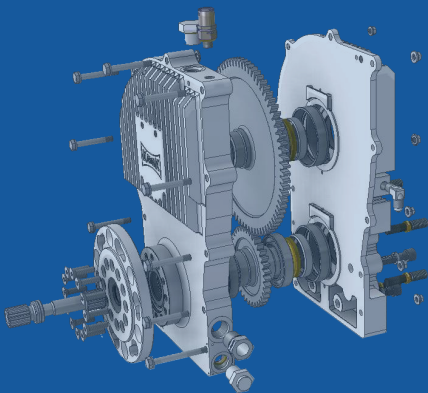


KAWAK
AVIATION TECHNOLOGIES

AUXILIARY DRIVE GEARBOXES



Superior Design and Construction. Proven.
Supported.

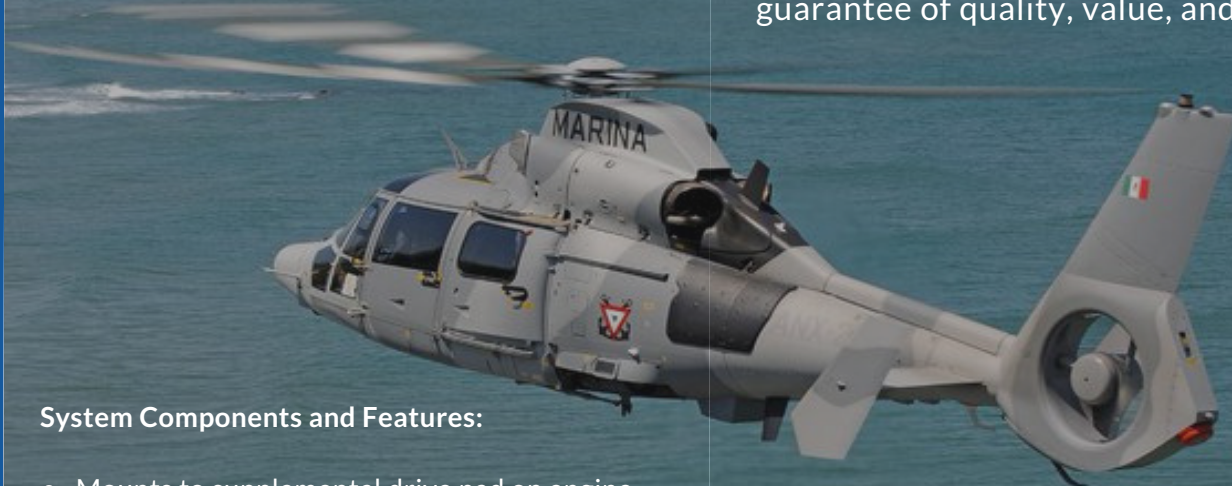
Kawak designs and manufactures specialized accessory drive gearboxes for our FAA approved products as well as for custom applications covering a wide range of aircraft and industries. These gearboxes are used to transmit power from turbine engines, helicopter transmission accessory drive pads, and other various outputs into auxiliary devices such as hydraulic pumps, generators and hoist systems.

System Components and Features:

- Mounts to supplemental drive pad on engine transmission or other application via interconnect flange
- Gearbox is independent of application via a shear coupling
- Self-contained lubrication system does not share oil from transmission
- Gears are designed and manufactured to AGMA Class 10 or better for smooth operation and long life
- Precision deep groove bearings provide for a high TBO

OUR GUARANTEE.

We develop all of our accessory drive gearboxes in response to our customers desire for fast-track development, highly reliable, and better supported systems. The Kawak name equals proven technology, superior construction, and our unconditional guarantee of quality, value, and support.



USA

541-385-5051
20690 Carmen Loop, Ste. 102, Bend, Oregon

Kawakaviation.com
Pete@kawakaviation.com

